



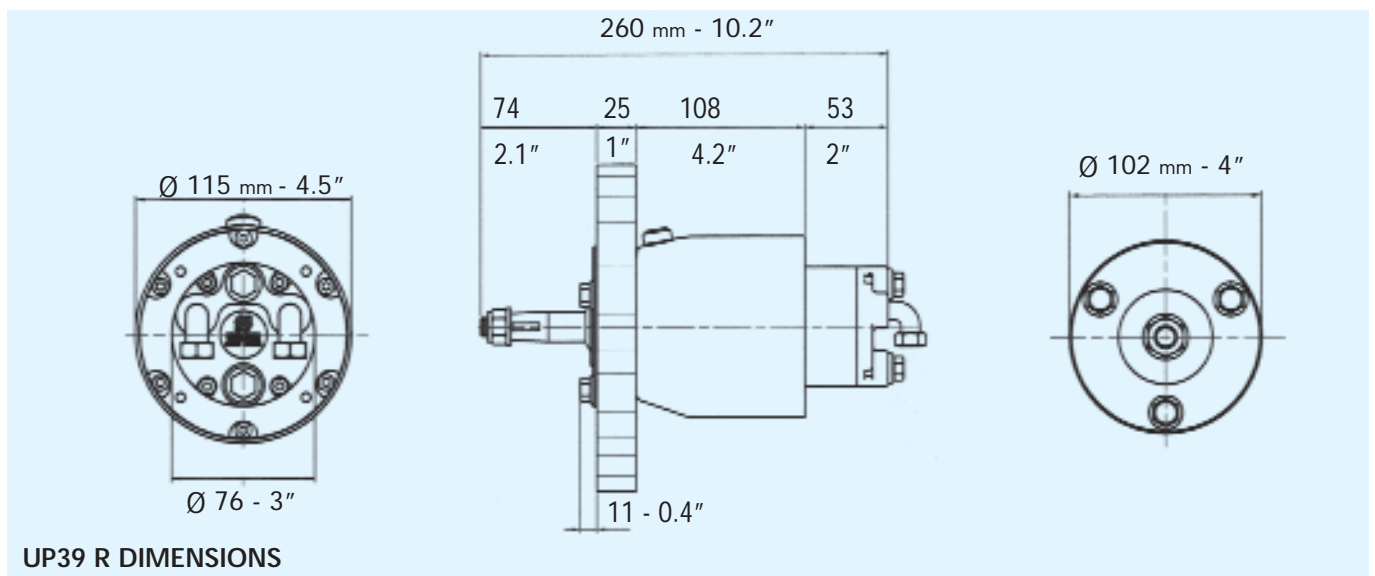
**REAR MOUNT
HELM PUMP
UP39 R**



FEATURES

- Available in 39 cc/rev (2.4 cu.in/rev) displacement size
- Compact design
- Ball bearing piston race
- Built-in lock valve for positive rudder lock
- Integral relief valve for over-pressure protection
- 3/4" tapered stainless steel shaft
- Easily accessible lock valve and shaft seal for replacement
- Cast iron rotor for greater durability and longer life
- 1/4" NPT fitting for 3/8" tube
- Complete with elbow fittings
- **KIT F** optional remote fill adapter (see page 64)

Mod.	Mounting	Displacement/revolution	No. of pistons	Relief valve setting	Maximum wheel dia.	Weight
UP39 R	Rear mount	39 cc - 2.4 cu.in	5	70 Bar - 1000 PSI	710 mm - 28"	5 kg - 11 lbs



UP39 R DIMENSIONS