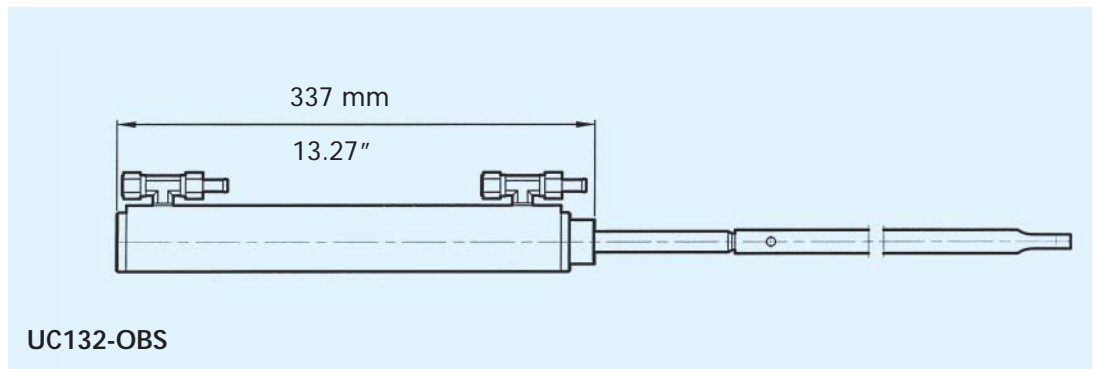




UC132-OBS - Unbalanced: the number of turns lock-to-lock is not equal port to starboard and vice-versa

**UC132-OBS
SIDE MOUNT
CYLINDER**

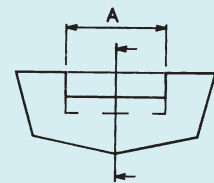
SPECIFICATIONS	UC132-OBS
Volume	132 / 163 cc - 8 / 9.95 cu. in
Output force	455 / 563 kg - 1003 / 1240 lbs
Inside diameter	32 mm - 1.25"
Stroke	203 mm - 8"
Fittings	For 3/8" high pressure flex hose



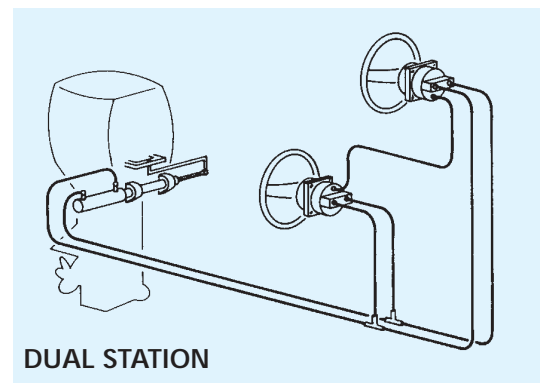
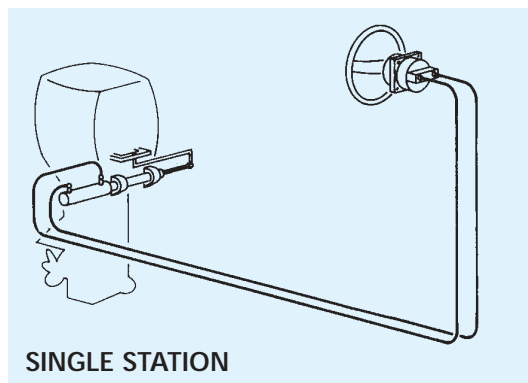
INSTALLATION:

UC132-OBS side mount cylinder features a turning nut for a fast and easy installation to the engine tube (Patent pending)

SPLASHWELL DIMENSION REQUIREMENTS



A= 530 mm - 20.8"



UC132-OBS SIDE MOUNT CYLINDER

JOHNSON & EVINRUDE® (see note 1)

POWER	YEAR
90 - 300 hp	1977 - 1990
90 - 225 hp	1991 to date
150 - 175 hp	1991 to date
250 - 300 hp	1991 to date
65 - 155 hp	1977 - 1990
100 - 155 hp	1991 to date
80 - 105 hp	1991 to date

MERCURY & MARINER®

POWER	YEAR
150 - 200 hp	only 1984
90 - 115 hp	only 1984
115 - 220 hp	1985 - 1988
100 - 115 hp	only 1989
135 - 250 hp	only 1989
75 - 250 hp	only 1990
75 - 275 hp	1991 to date

APPLICATIONS

NOTE 1

If the OMC® input cylinder (ref. OMC® P. No. 985519) is fitted, an adaptor fitting is required (ref. Parker P. No. F6X-S 10-3/8")

NOTE 2

Multiple OMC Seadrive® installation requires the OMC® synchronization valve (rif. OMC® P. No. 983430)

SUZUKI®

POWER	YEAR
150 - 220 hp	1986 to date
100 hp	1990 to date

TOHATSU®

POWER	YEAR
120 - 140 hp	1990 to date

YAMAHA®

POWER	YEAR
115 - 220 hp	1984 - 1985
115 - 220 hp	only 1986
115 - 220 hp	1987 to date
250 hp	1990 to date
70 - 90 hp	1989 to date
80 - 140 hp	1990 to date

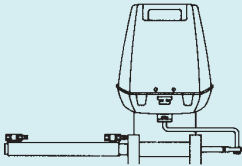
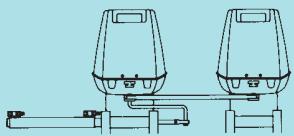
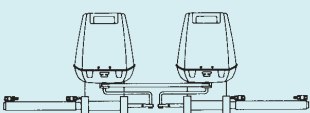
FORCE®

POWER	YEAR
90 - 150 hp	1985 to date

OMC-SEADRIVE® (see note 2)

POWER	YEAR
1,6 liters	1984 to date

ORDER GUIDE:

SYSTEM DESCRIPTION	COMPONENTS	MODEL	QTY
Single engine Single cylinder  Wheel turns: 4,7/5,8 Application up to 300 hp max	Front mount cylinder Helm pump Hose kit Oil Steering wheel for additional station add: Helm pump Fitting kit Hose kit Oil Steering wheel	UC132-OBS UP28 KIT OB OIL 15 UP28 KIT OB - 2S KIT OB OIL 15	1 1 1 3 1 1 1 1 1 1
Dual engine Single cylinder  Wheel turns: 4/5 Application up to 300 hp max (non-counter rotating engine) Application up to 600 hp max (counter engine)	Side mount cylinder Helm pump Hose kit Oil Tie bar Steering wheel for additional station add: Helm pump Fitting kit Hose kit Oil Steering wheel	UC132-OBS UP33 KIT OB OIL 15 Supplied by engine manufacturer UP33 KIT OB - 2S KIT OB OIL 15	1 1 1 3 1 1 1 1 1
Dual engine Dual cylinder  Wheel turns: 6,7/8,3 Application up to 600 hp max (counter engine)	Side mount cylinder Helm pump Hose kit Tee fitting kit Oil Tie bar Steering wheel for additional station add: Helm pump Fitting kit Hose kit Oil Steering wheel	UC132-OBS UP39 KIT OB STANDARD OIL 15 Supplied by engine manufacturer UP39 KIT OB - 2S KIT OB OIL 15	2 1 2 1 3 1 1 1 1 1

WARNING:
the UC132-OBS side mount cylinder is not recommended for use in installations where the boat speed exceeds 60 mph (60 knots) and the power exceeds max Coast Guard recommendation for the boat.

NOTE:
kit OB and kit OB-2S see page 58

