

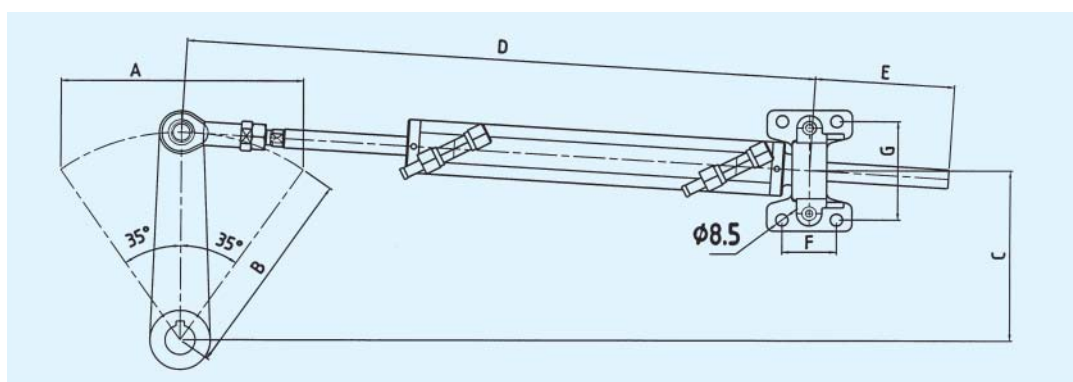


All balanced cylinders: the number of turns lock-to-lock is equal port to starboard and vice-versa



INBOARD CYLINDERS

SPECIFICATIONS	UC116-I ALUMINUM	UC168-I ALUMINUM	UC215-I ALUMINUM
Volume	116 cc - 7 cu. in	168 cc - 10.25 cu.in	215 cc - 13.12 cu. in
Torque	58 kgm - 5043 lbs. in	87 kgm - 7565 lbs. in	111 kgm - 9652 lbs. in
Output force	455 kg - 1003 lbs	682 kg - 1503 lbs	682 kg - 1503 lbs
Inside diameter	32 mm - 1.25"	40 mm - 1.57"	40 mm - 1.57"
Stroke	178 mm - 7"	178 mm - 7"	228 mm - 9"
Fittings compression style	for 3/8" nylon tube	for 3/8" nylon tube	for 3/8" nylon tube



	UC116-I	UC168-I	UC215-I
A	178 mm - 7"	178 mm - 7"	228 mm - 9"
B	155 mm - 6.1"	155 mm - 6.1"	199 mm - 7.8"
C	127 mm - 5"	127 mm - 5"	163 mm - 6.4"
D	464 mm - 18.3"	506 mm - 20"	582 mm - 22.9"
E	102 mm - 4."	106 mm - 4.2"	131 mm - 5.2"
F	40 mm - 1.6"	40 mm - 1.6"	40 mm - 1.6"
G	73 mm - 2.9"	105 mm - 4.1"	105 mm - 4.1"

INBOARD CYLINDERS

APPLICATIONS

CYLINDER	MAX BOAT LENGTH:	HUL TYPE	No. OF ENGINES	MAX TORQUE	HOW TO ORDER
UC116-I	8,50 m - 28 ft	Planing / Displacement	1	Up to 58 kgm 5043 lbs. in	System 1
	9,50 m - 31 ft		2		System 1
UC168-I	11,60 m - 38 ft	Planing	1	Up to 87 kgm 7565 lbs. in	System 2 or 3
	13,40 m - 44 ft		2		System 3
	9,70 m - 32 ft	Displacement	1	Up to 87 kgm 7565 lbs. in	System 2 or 3
	11,60 m - 38 ft		2		System 3
UC215-I	13,40 m - 44 ft	Planing	1	Up to 111 kgm 9652 lbs. in	System 4 or 5
	15,20 m - 50 ft		2		System 5
	11,60 m - 38 ft	Displacement	2	Up to 111 kgm 9652 lbs. in	System 4 or 5
	13,40 m - 44 ft		2		System 5

WARNING:

These recommendations should be used as a general reference only. Final selection should be made with the assistance of a qualified installation technician.

For any further information please contact our Technical Service

ORDER GUIDE:

SYSTEM 1			SYSTEM 2		
Comp.	Model	Qty	Comp.	Model	Qty
Helm pump	UP28	1	Helm pump	UP28	1
Cylinder	UC116-I	1	Cylinder	UC168-I	1
3/8" nylon tube	TU95	on request	3/8" nylon tube	TU95	on request
Oil	OIL15	3	Oil	OIL15	3
Steering wheel	-	1	Steering wheel	-	1
<i>for additional station add:</i>			<i>for additional station add:</i>		
Helm pump	UP28	1	Helm pump	UP28	1
Fitting Kit	KIT95-2S	1 (page 64)	Fitting Kit	KIT95-2S	1 (page 64)
Oil	OIL15	1	Oil	OIL15	1
Extra tube	TU95	on request	Extra tube	TU95	on request
Steering wheel	-	1	Steering wheel	-	1

60



INBOARD CYLINDERS

ORDER GUIDE:

SYSTEM 3	Max rudder torque 87 kgm 7565 lbs. in	Turns lock to lock 5
Comp.	Model	Qty
Helm pump	UP33	1
Cylinder	UC168-I	1
3/8" nylon tube	TU95	on request
Oil	OIL15	3
Steering wheel	-	1
<i>for additional station add:</i>		
Helm pump	UP33	1
Fitting Kit	KIT95-2S	1 (page 64)
Oil	OIL15	1
Extra tube	TU95	on request
Steering wheel	-	1

SYSTEM 4	Max rudder torque 111 kgm 9562 lbs. in	Turns lock to lock 6.5
Comp.	Model	Qty
Helm pump	UP33	1
Cylinder	UC215-I	1
3/8" nylon tube	TU95	on request
Oil	OIL15	3
Steering wheel	-	1
<i>for additional station add:</i>		
Helm pump	UP33	1
Fitting Kit	KIT95-2S	1 (page 64)
Oil	OIL15	1
Extra tube	TU95	on request
Steering wheel	-	1

SYSTEM 5	Max rudder torque 111 kgm 9562 lbs. in	Turns lock to lock 5.5
Comp.	Model	Qty
Helm pump	UP39	1
Cylinder	UC215-I	1
3/8" nylon tube	TU95	on request
Oil	OIL 15	3
Steering wheel	-	1
<i>for additional station add:</i>		
Helm pump	UP39	1
Fitting Kit	KIT95-2S	1 (page 64)
Oil	OIL15	1
Extra tube	TU95	on request
Steering wheel	-	1

NOTE
 1) For systems 3, 4 and 5, 5/16" nylon tubing can be used as an alternative to the standard 3/8" tubing for plumbing the system. These applications must be specified when ordering.
 2) For systems 1, 2, 3, 4 and 5 copper tubing (3/8" dia. or 10 mm dia.) can be used as an alternative tubing for plumbing the system. For these applications a fitting kit, KIT95 or KIT100 - is required (ref. page 64).
 For applications on work boats, the use of copper tubing is recommended.

